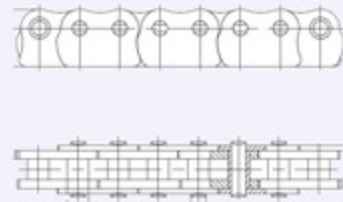


CHAIN OPENER SYSTEM WITH MDCR OPERATOR

SPECIFICATIONS

- The Arens MDCR Operator is a heavy duty operator
- Chain opener use with $\varnothing 6\text{mm}$ or $\varnothing 7.2\text{mm}$ heflex cable
- $\varnothing 12\text{mm}$ alum tubing with an internal antifriction polyethylene tube
- Capable of up to 10 chain box
- Max push / pull 600N / 1000N
- Retention Force up to 2000N
- Compact size , fits neatly on 44mm mullion
- Supplied with fixed or removable handle
- Color : Black , white of Grey

■ Double link stainless steel chain

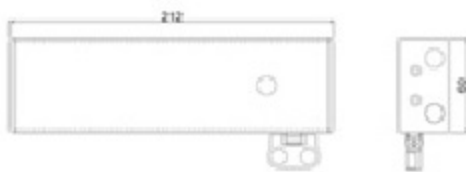


Double Link Chain Opener

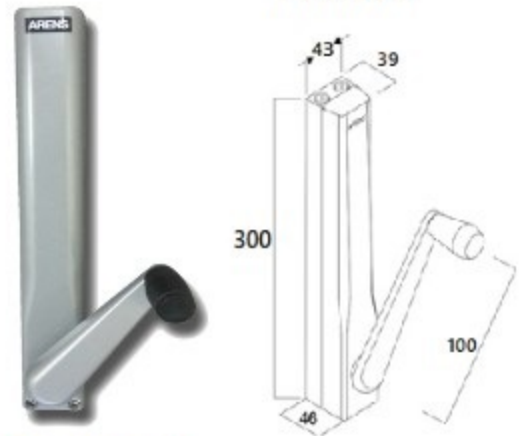
HDC- 1 (300mm-350mm)



■ Dimension



Dimension



MDCR 209 GEAR BOX

CHAIN OPENER

